

Wedge Seal™ Cable Termination Plugs

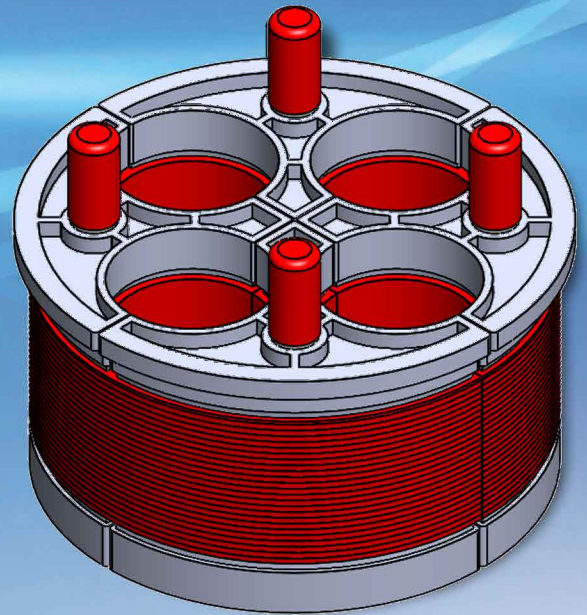


Cal Am Manufacturing's Wedge Seal™ Cable Termination Plugs are available in sizes ranging from 4 to 8 inches for 1, 3 and 4-way cable separations that are designed to secure and support cable and conduit in any number of circular openings. The wedge seal products offer a convenient and efficient means for organizing and anchoring your cable and inner duct within conduit, core drilled wall penetrations, risers or other openings while sealing them from the damaging effects of water, construction debris and nesting animals.

An excellent long-term seal, these products can be installed in minutes without the use of specialized tools and can be easily removed at any time. Wedge Seals are available in a variety of off-the-shelf and custom sizes and can handle one, three and four-way cable and duct arrays with cable OD's ranging from 3/4 to 2.7 Inches. All Cal Am Wedge Seal™ products are manufactured with UV and ozone resistant polymers and use only the finest stainless steel fasteners. These plugs are specifically engineered to expand and contract in response to changes in ambient temperature without leaking, you will also find that the Wedge Seal is the perfect solution to stop cable creep and duct-edge abrasion.

For over 25 years Cal Am has been providing the Power and Telecommunications industry with the highest quality conduit fittings and supports. For more information on other fine Cal Am products please call or visit our website at calammfg.com.

- Rainproof
- Debris & Animal Secure
- Corrosion Proof
- Eliminates Duct-Edge Abrasion
- Anchors & Organizes Cable & Duct

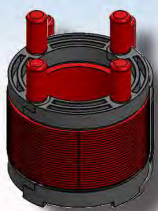
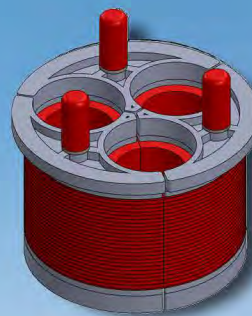
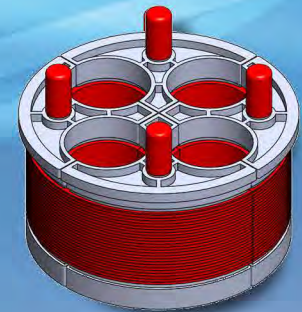


CAL AM
MANUFACTURING

Underground Electrical & Broadband Fittings



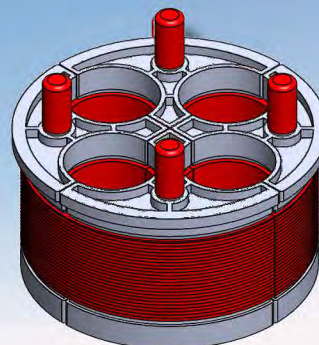
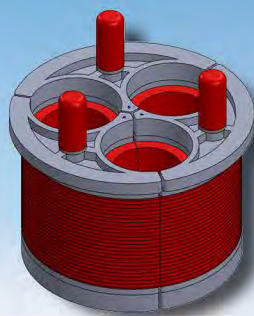
4", Sch. 40 Conduit											
1-WAY				3-WAY				4-WAY			
PART #	NOMINAL INNER DIAMETER (IN)	RANGE (IN)	RANGE (MM)	PART #	NOMINAL INNER DIAMETER (IN)	RANGE (IN)	RANGE (MM)	PART #	NOMINAL INNER DIAMETER (IN)	RANGE (IN)	RANGE (MM)
7140-100	1.00	0.98-1.02	24.89-25.91	7340-075	0.75	0.73-0.77	18.54-19.56	7440-075	0.75	0.73-0.77	18.54-19.56
7140-105	1.05	1.03-1.07	26.16-27.18	7340-080	0.80	0.78-0.82	19.81-20.83	7440-080	0.80	0.78-0.82	19.81-20.83
7140-110	1.10	1.08-1.12	27.43-28.45	7340-085	0.85	0.83-0.87	21.08-22.10	7440-085	0.85	0.83-0.87	21.08-22.10
7140-115	1.15	1.13-1.17	28.70-29.72	7340-090	0.90	0.88-0.92	22.35-23.37	7440-090	0.90	0.88-0.92	22.35-23.37
7140-120	1.20	1.18-1.22	29.97-30.99	7340-095	0.95	0.93-0.97	23.62-24.64	7440-095	0.95	0.93-0.97	23.62-24.64
7140-125	1.25	1.23-1.27	31.24-32.26	7340-100	1.00	0.98-1.02	24.89-25.91	7440-100	1.00	0.98-1.02	24.89-25.91
7140-130	1.30	1.28-1.32	32.51-33.53	7340-105	1.05	1.03-1.07	26.16-27.18	7440-105	1.05	1.03-1.07	26.16-27.18
7140-135	1.35	1.33-1.37	33.78-34.80	7340-110	1.10	1.08-1.12	27.43-28.45	7440-110	1.10	1.08-1.12	27.43-28.45
7140-140	1.40	1.38-1.42	35.05-36.07	7340-115	1.15	1.13-1.17	28.70-29.72	7440-115	1.15	1.13-1.17	28.70-29.72
7140-145	1.45	1.43-1.47	36.32-37.34	7340-120	1.20	1.18-1.22	29.97-30.99	7440-120	1.20	1.18-1.22	29.97-30.99
7140-150	1.50	1.48-1.52	37.59-38.61	7340-125	1.25	1.23-1.27	31.24-32.26	7440-125	1.25	1.23-1.27	31.24-32.26
7140-155	1.55	1.53-1.57	38.86-39.88	7340-130	1.30	1.28-1.32	32.51-33.53	7440-130	1.30	1.28-1.32	32.51-33.53
7140-160	1.60	1.58-1.62	40.13-41.15	7340-135	1.35	1.33-1.37	33.78-34.80				
7140-165	1.65	1.63-1.67	41.40-42.42	7340-140	1.40	1.38-1.42	35.05-36.07				
7140-170	1.70	1.68-1.72	42.67-43.69	7340-145	1.45	1.43-1.47	36.32-37.34				
7140-175	1.75	1.73-1.77	43.94-44.96	7340-150	1.50	1.48-1.52	37.59-38.61				
7140-180	1.80	1.78-1.82	45.21-46.23	7340-155	1.55	1.53-1.57	38.86-39.88				
7140-185	1.85	1.83-1.87	46.48-47.50	7340-160	1.60	1.58-1.62	40.13-41.15				
7140-190	1.90	1.88-1.92	47.75-48.77	7340-165	1.65	1.63-1.67	41.40-42.42				
7140-195	1.95	1.93-1.97	49.02-50.04								
7140-200	2.00	1.98-2.01	50.30-51.05								
7140-205	2.05	2.03-2.07	51.56-52.58								
7140-210	2.10	2.08-2.12	52.83-53.85								
7140-215	2.15	2.13-2.17	54.10-55.12								
7140-220	2.20	2.18-2.22	55.37-56.39								
7140-225	2.25	2.23-2.27	56.64-57.66								
7140-230	2.30	2.28-2.32	57.91-58.93								
7140-235	2.35	2.33-2.37	59.18-60.20								
7140-240	2.40	2.38-2.42	60.45-61.49								
7140-245	2.45	2.43-2.47	61.72-62.74								



CALL FOR PRICE AND AVAILABILITY TODAY!



5", Sch. 40 Conduit							
3-WAY				4-WAY			
PART #	NOMINAL INNER DIAMETER (IN)	RANGE (IN)	RANGE (MM)	PART #	NOMINAL INNER DIAMETER (IN)	RANGE (IN)	RANGE (MM)
7350-075	0.75	0.73-0.77	18.54-19.56	7450-075	0.75	0.73-0.77	18.54-19.56
7350-080	0.80	0.78-0.82	19.81-20.83	7450-080	0.80	0.78-0.82	19.81-20.83
7350-085	0.85	0.83-0.87	21.08-22.10	7450-085	0.85	0.83-0.87	21.08-22.10
7350-090	0.90	0.88-0.92	22.35-23.37	7450-090	0.90	0.88-0.92	22.35-23.37
7350-095	0.95	0.93-0.97	23.62-24.64	7450-095	0.95	0.93-0.97	23.62-24.64
7350-100	1.00	0.98-1.02	24.89-25.91	7450-100	1.00	0.98-1.02	24.89-25.91
7350-105	1.05	1.03-1.07	26.16-27.18	7450-105	1.05	1.03-1.07	26.16-27.18
7350-110	1.10	1.08-1.12	27.43-28.45	7450-110	1.10	1.08-1.12	27.43-28.45
7350-115	1.15	1.13-1.17	28.70-29.72	7450-115	1.15	1.13-1.17	28.70-29.72
7350-120	1.20	1.18-1.22	29.97-30.99	7450-120	1.20	1.18-1.22	29.97-30.99
7350-125	1.25	1.23-1.27	31.24-32.26	7450-125	1.25	1.23-1.27	31.24-32.26
7350-130	1.30	1.28-1.32	32.51-33.53	7450-130	1.30	1.28-1.32	32.51-33.53
7350-135	1.35	1.33-1.37	33.78-34.80	7450-135	1.35	1.33-1.37	33.78-34.80
7350-140	1.40	1.38-1.42	35.05-36.07	7450-140	1.40	1.38-1.42	35.05-36.07
7350-145	1.45	1.43-1.47	36.32-37.34	7450-145	1.45	1.43-1.47	36.32-37.34
7350-150	1.50	1.48-1.52	37.59-38.61	7450-150	1.50	1.48-1.52	37.59-38.61
7350-155	1.55	1.53-1.57	38.86-39.88	7450-155	1.55	1.53-1.57	38.86-39.88
7350-160	1.60	1.58-1.62	40.13-41.15	7450-160	1.60	1.58-1.62	40.13-41.15
7350-165	1.65	1.63-1.67	41.40-42.42	7450-165	1.65	1.63-1.67	41.40-42.42
7350-170	1.70	1.68-1.72	42.67-43.69	7450-170	1.70	1.68-1.72	42.67-43.69
7350-175	1.75	1.73-1.77	43.94-44.96	7450-175	1.75	1.73-1.77	43.94-44.96
7350-180	1.80	1.78-1.82	45.21-46.23	7450-180	1.80	1.78-1.82	45.21-46.23



CONTACT US TO FIND A DISTRIBUTOR NEAR YOU!



CALL FOR PRICE AND AVAILABILITY TODAY!

6", Sch. 40 Conduit							
3-WAY				4-WAY			
PART #	NOMINAL INNER DIAMETER (IN)	RANGE (IN)	RANGE (MM)	PART #	NOMINAL INNER DIAMETER (IN)	RANGE (IN)	RANGE (MM)
7360-075	0.75	0.73-0.77	18.54-19.56	7460-075	0.75	0.73-0.77	18.54-19.56
7360-080	0.80	0.78-0.82	19.81-20.83	7460-080	0.80	0.78-0.82	19.81-20.83
7360-085	0.85	0.83-0.87	21.08-22.10	7460-085	0.85	0.83-0.87	21.08-22.10
7360-090	0.90	0.88-0.92	22.35-23.37	7460-090	0.90	0.88-0.92	22.35-23.37
7360-095	0.95	0.93-0.97	23.62-24.64	7460-095	0.95	0.93-0.97	23.62-24.64
7360-100	1.00	0.98-1.02	24.89-25.91	7460-100	1.00	0.98-1.02	24.89-25.91
7360-105	1.05	1.03-1.07	26.16-27.18	7460-105	1.05	1.03-1.07	26.16-27.18
7360-110	1.10	1.08-1.12	27.43-28.45	7460-110	1.10	1.08-1.12	27.43-28.45
7360-115	1.15	1.13-1.17	28.70-29.72	7460-115	1.15	1.13-1.17	28.70-29.72
7360-120	1.20	1.18-1.22	29.97-30.99	7460-120	1.20	1.18-1.22	29.97-30.99
7360-125	1.25	1.23-1.27	31.24-32.26	7460-125	1.25	1.23-1.27	31.24-32.26
7360-130	1.30	1.28-1.32	32.51-33.53	7460-130	1.30	1.28-1.32	32.51-33.53
7360-135	1.35	1.33-1.37	33.78-34.80	7460-135	1.35	1.33-1.37	33.78-34.80
7360-140	1.40	1.38-1.42	35.05-36.07	7460-140	1.40	1.38-1.42	35.05-36.07
7360-145	1.45	1.43-1.47	36.32-37.34	7460-145	1.45	1.43-1.47	36.32-37.34
7360-150	1.50	1.48-1.52	37.59-38.61	7460-150	1.50	1.48-1.52	37.59-38.61
7360-155	1.55	1.53-1.57	38.86-39.88	7460-155	1.55	1.53-1.57	38.86-39.88
7360-160	1.60	1.58-1.62	40.13-41.15	7460-160	1.60	1.58-1.62	40.13-41.15
7360-165	1.65	1.63-1.67	41.40-42.42	7460-165	1.65	1.63-1.67	41.40-42.42
7360-170	1.70	1.68-1.72	42.67-43.69	7460-170	1.70	1.68-1.72	42.67-43.69
7360-175	1.75	1.73-1.77	43.94-44.96	7460-175	1.75	1.73-1.77	43.94-44.96
7360-180	1.80	1.78-1.82	45.21-46.23	7460-180	1.80	1.78-1.82	45.21-46.23
7360-185	1.85	1.83-1.87	46.48-47.50	7460-185	1.85	1.83-1.87	46.48-47.50
7360-190	1.90	1.88-1.92	47.75-48.77				
7360-195	1.95	1.93-1.97	49.02-50.04				

8", Sch. 40 Conduit							
3-WAY				4-WAY			
PART #	NOMINAL INNER DIAMETER (IN)	RANGE (IN)	RANGE (MM)	PART #	NOMINAL INNER DIAMETER (IN)	RANGE (IN)	RANGE (MM)
7380-240	2.40	2.38-2.42	60.45-61.47	7480-190	1.90	1.88-1.92	47.75-48.77
7380-245	2.45	2.43-2.47	61.72-62.74	7480-195	1.95	1.93-1.97	49.02-50.04
7380-250	2.50	2.48-2.52	62.99-64.01	7480-200	2.00	1.98-2.02	50.29-51.31
7380-255	2.55	2.53-2.57	64.26-65.28	7480-205	2.05	2.03-2.07	51.56-52.58
7380-260	2.60	2.58-2.62	65.53-66.55	7480-210	2.10	2.08-2.12	52.83-53.85
7380-265	2.65	2.63-2.67	66.80-67.82	7480-215	2.15	2.13-2.17	54.10-55.12
7380-270	2.70	2.68-2.72	68.07-69.09	7480-220	2.20	2.18-2.22	55.37-56.38

