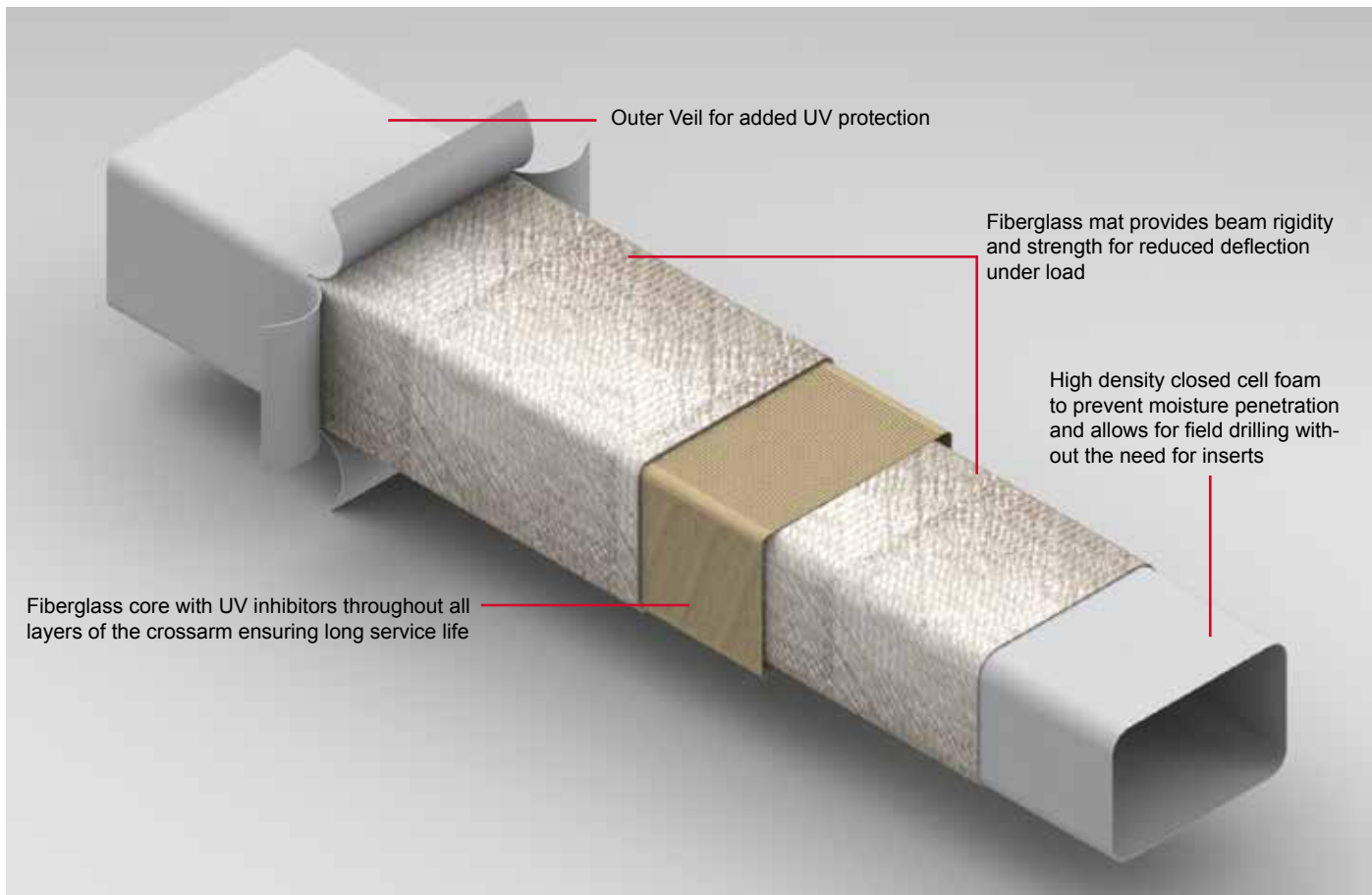




Fiberglass Utility Crossarms

macleanpower.com





Features and Benefits

- UV stabilized pultruded fiberglass Beam
- Extensive use of woven and straight fibers for increased strength and reduced deflection
- High density, closed cell, expandable foam core
- Environmentally friendly - no chemicals or preservatives
- Deadends use an MPS exclusive curved washer to reduce arm stress
- Compatible installation with saddle pins on tangent crossarms
- Alternative and superior product to wooden crossarms without the additional costs of chemical treatments and disposal health concerns
- Field drillable design - available in std. REA or custom drill
- Lighter than wood with consistent material properties
- Improves overall system insulation and integrity
- Shipped ready to be installed with no assembly required
- RUS listed
- Assembled in the U.S.A.

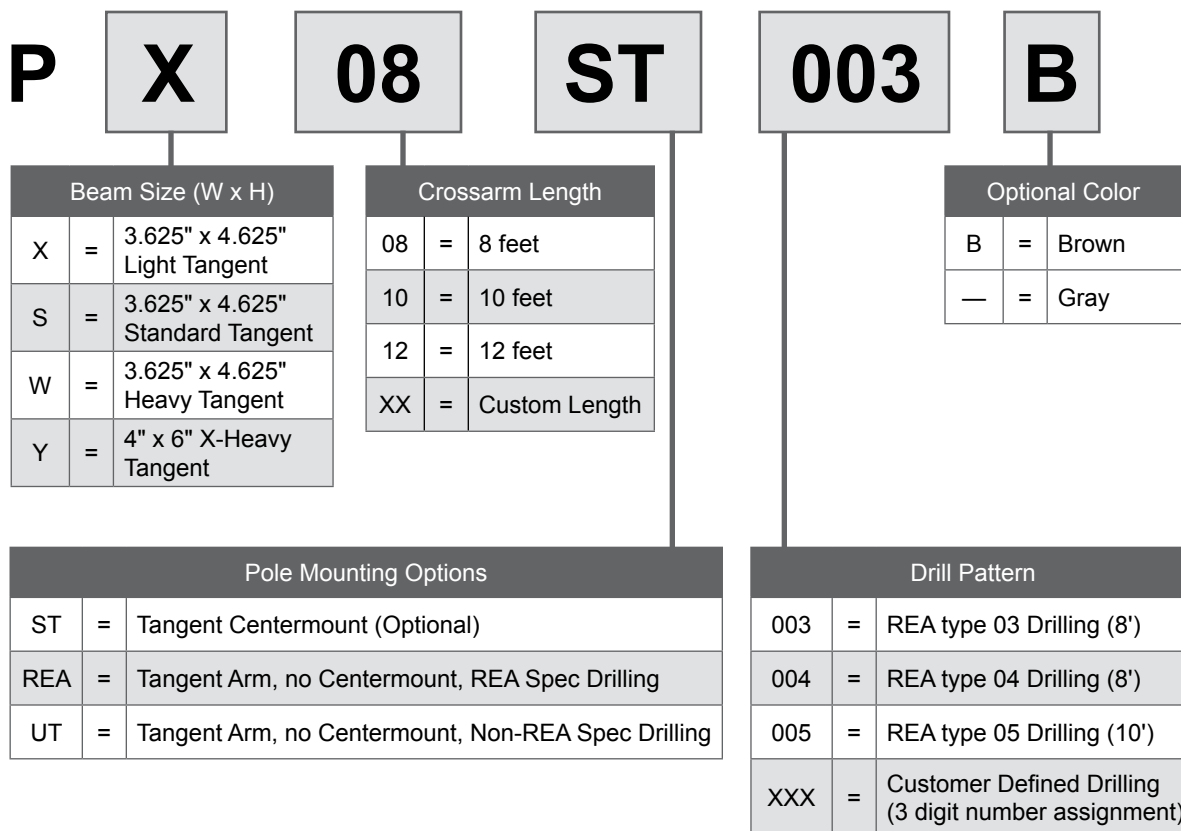
MPS Advantages

- Over 30 years of fiberglass pultrusion experience
- High quality products that meet or beat industry standards
- 10 US manufacturing plants
- Dedicated technical and customer service experts
- Customized application support
- Vertically integrated for quick response to storm and customer emergencies
- Locations throughout the world
- MPS offers a wide variety of products
 - Aluminum Mounts
 - Anchoring Systems
 - Conductor Hardware
 - Connectors
 - Cutouts
 - Enclosures and Pads
 - Telecommunications Hardware
 - Fiberglass Products
 - Formed Wire
 - Grounding and Tools
 - Insulator Systems
 - Pole Line Hardware
 - Surge Arresters

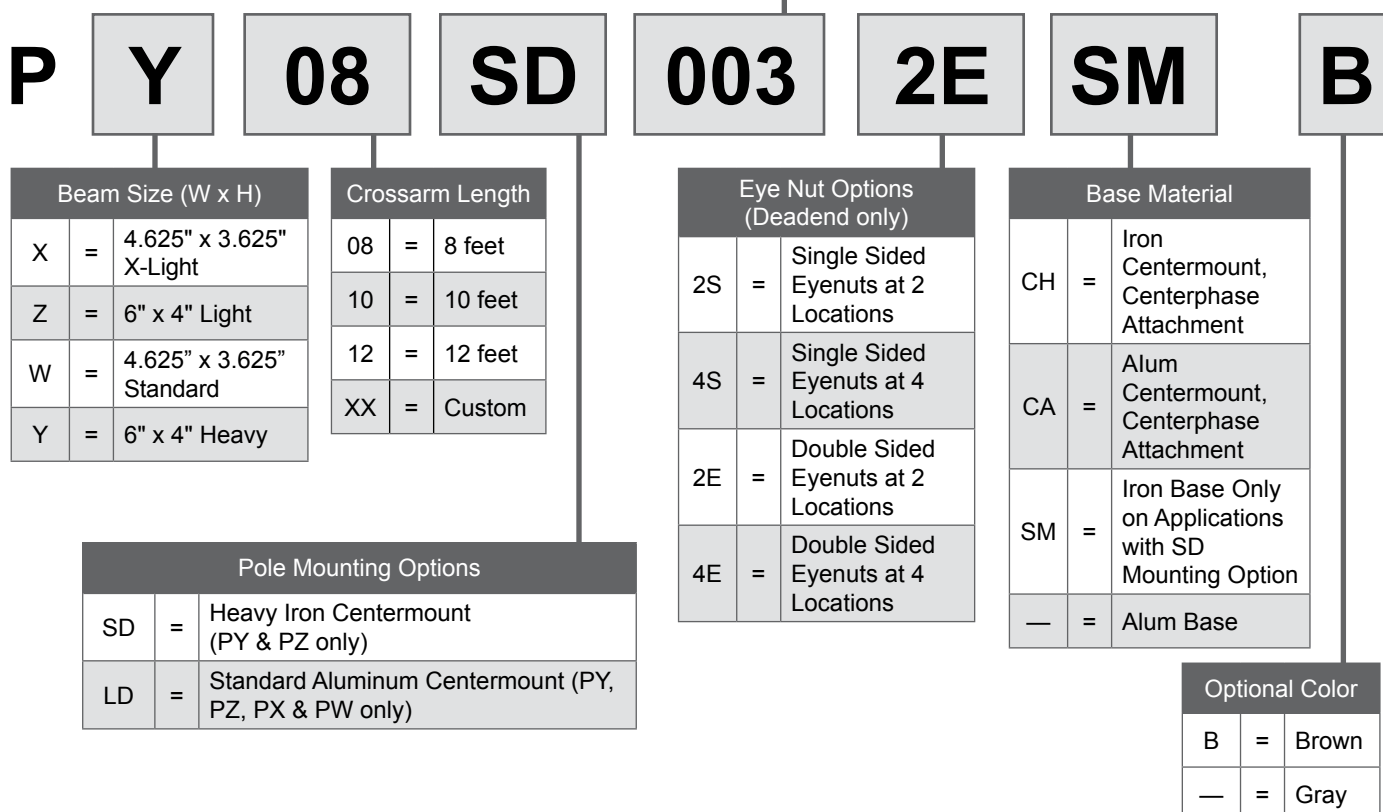
Catalog Numbering System



Tangent Catalog Numbering System



Deadend Catalog Numbering System



Target Crossarms

Light and Standard Duty



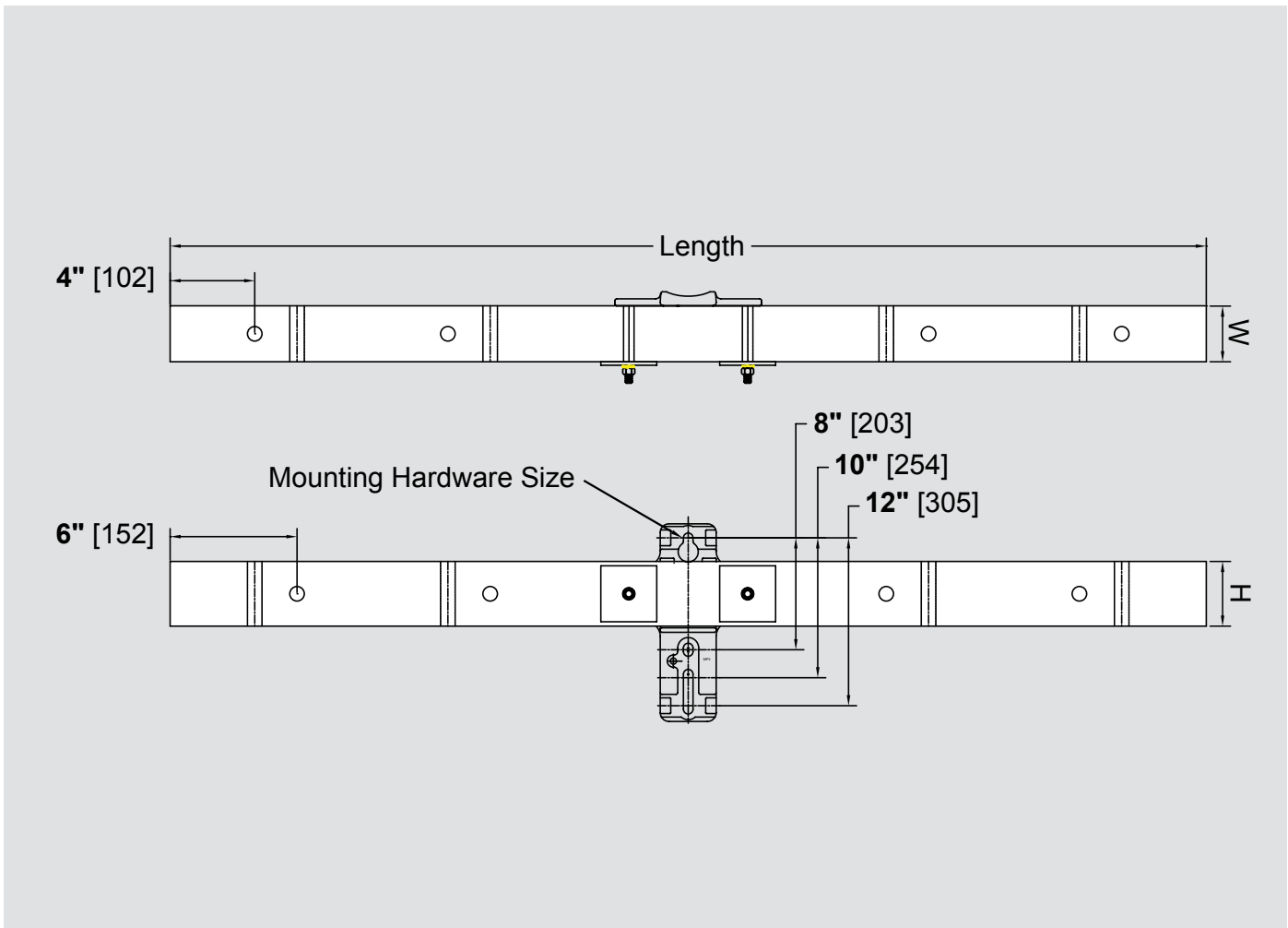
Specifications

- UV Stabilized Fiberglass Beam with UV Protective Veil
- Bandable
- Keyhole Slot
- 8"-12" Pole Mounting
- Cast Aluminum Base
- Available in Gray or Brown

General Specifications

Series	Mounting Spacing	Mounting Hardware Size	Beam Size (W x H)	Base Material
PX	8" - 12"	5/8"	3.625" x 4.625"	Aluminum
PS	8" - 12"	3/4"	3.625" x 4.625"	Aluminum

Dimensions





Light Duty Tangent Crossarms Series PX

Braceless Tangent Crossarms

Catalog Number	Length in Feet*	Ultimate Load Per Side in Pounds**	Deflection in Inch Per 1000 Pounds	Load Per Position	Weight in Pounds	Beam Size W x H
PX08ST003	8'	3200	0.68	2350	40	3-5/8" x 4-5/8"
PX08ST004	8'	3200	0.68	1600	40	3-5/8" x 4-5/8"
PX10ST005	10'	2500	1.28	1250	47	3-5/8" x 4-5/8"

Braced Tangent Crossarms**

Catalog Number	Length in Feet*	Ultimate Load Per Side in Pounds**	Deflection in Inch Per 1000 Pounds	Load Per Position	Weight in Pounds	Beam Size W x H
PX08REA003	8'	2000	1.52	—	24	3-5/8" x 4-5/8"
PX10REA005	10'	1500	2.20	—	29	3-5/8" x 4-5/8"

Standard Duty Tangent Crossarms Series PS

Braceless Tangent Crossarms

Catalog Number	Length in Feet*	Ultimate Load Per Side in Pounds**	Deflection in Inch Per 1000 Pounds	Load Per Position	Weight in Pounds	Beam Size W x H
PS08ST003	8'	4100	0.60	3050	40	3-5/8" x 4-5/8"
PS08ST004	8'	4100	0.60	2000	40	3-5/8" x 4-5/8"
PS10ST005	10'	3200	0.90	1600	56	3-5/8" x 4-5/8"

Braced Tangent Crossarms**

Catalog Number	Length in Feet*	Ultimate Load Per Side in Pounds**	Deflection in Inch Per 1000 Pounds	Load Per Position	Weight in Pounds	Beam Size W x H
PS08REA003	8'	2450	0.75	—	32	3-5/8" x 4-5/8"
PS10REA005	10'	1900	1.20	—	40	3-5/8" x 4-5/8"

* Standard length shown. For other lengths, consult your MPS representative or customer service.

** Braces not provided

All numbers published to 95% confidence interval

Heavy and Extra Heavy Duty



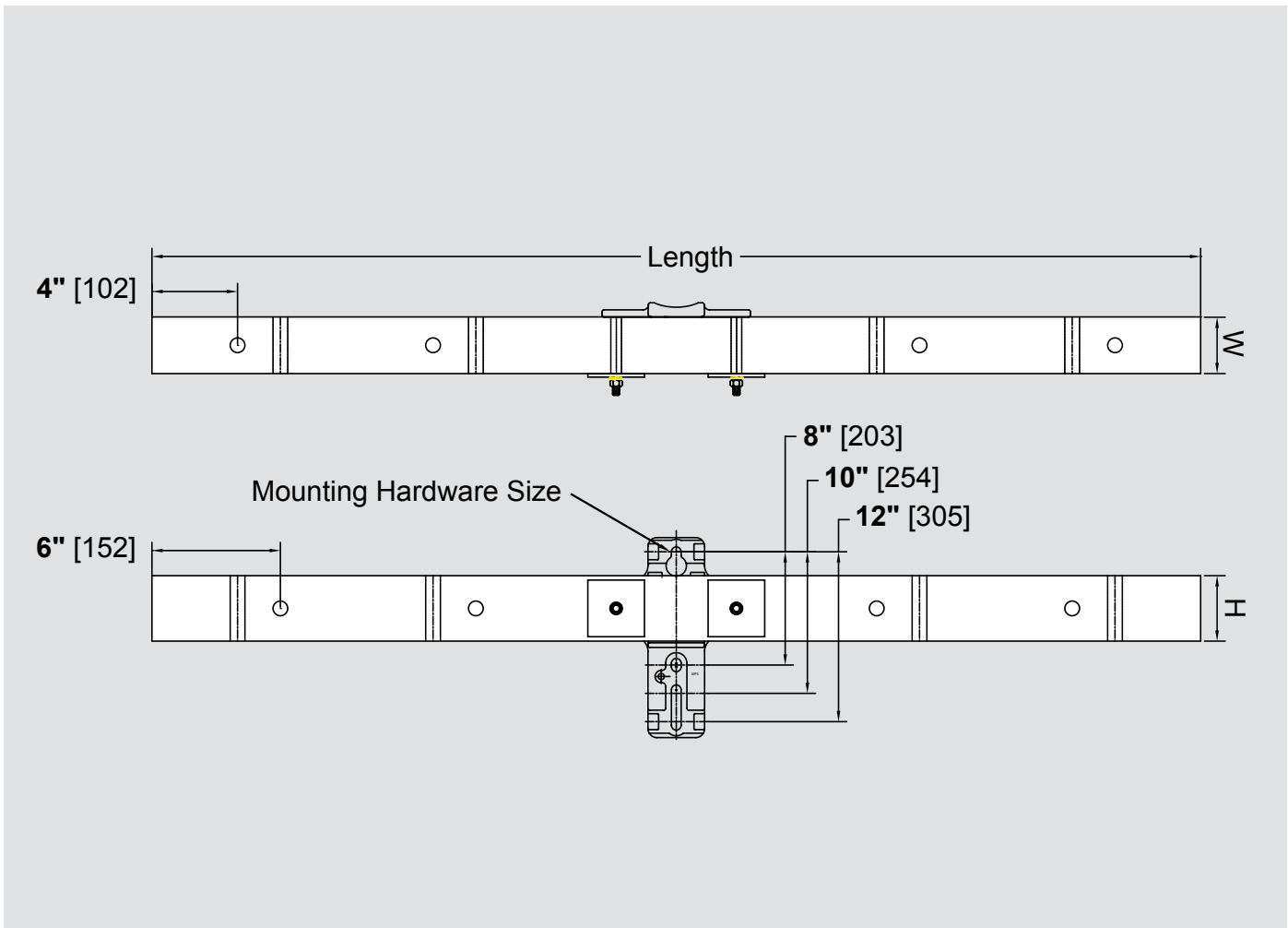
Specifications

- UV Stablized Fiberglass Beam with UV Protective Veil
- Bandable
- Keyhole Slot
- 8"-12" Pole Mounting
- Cast Aluminum Base
- Available in Gray or Brown

General Specifications

Series	Mounting Spacing	Mounting Hardware Size	Beam Size (W x H)	Base Material
PW	8" - 12"	3/4"	3.625" x 4.625"	Aluminum
PY	10" - 12"	3/4"	4" x 6"	Aluminum

Dimensions





Heavy Duty Tangent Crossarms Series PW

Braceless Tangent Crossarms

Catalog Number	Length in Feet*	Ultimate Load Per Side in Pounds**	Deflection in Inch Per 1000 Pounds	Load Per Position	Weight in Pounds	Beam Size W x H
PW08ST003	8'	7200	0.60	5400	45	3-5/8" x 4-5/8"
PW08ST004	8'	7200	0.60	3600	45	3-5/8" x 4-5/8"
PW10ST005	10'	5700	0.90	2800	48	3-5/8" x 4-5/8"
PW12ST349	12'	4700	1.21	3300	66	3-5/8" x 4-5/8"

Braced Tangent Crossarms**

Catalog Number	Length in Feet*	Ultimate Load Per Side in Pounds**	Deflection in Inch Per 1000 Pounds	Load Per Position	Weight in Pounds	Beam Size W x H
PW08REA003	8'	4000	0.75	—	32	3-5/8" x 4-5/8"
PW10REA005	10'	3100	1.20	—	40	3-5/8" x 4-5/8"

Extra Heavy Duty Tangent Crossarms Series PY

Braceless Tangent Crossarms

Catalog Number	Length in Feet*	Ultimate Load Per Side in Pounds**	Deflection in Inch Per 1000 Pounds	Load Per Position	Weight in Pounds	Beam Size W x H
PY08ST003	8'	8400	0.22	6250	57	4" x 6"
PY08ST004	8'	8400	0.22	4200	57	4" x 6"
PY10ST005	10'	6600	0.42	3300	69	4" x 6"
PY12ST349	12'	5450	0.58	3800	81	4" x 6"

* Standard length shown. For other lengths, consult your MPS representative or customer service.

** Braces not provided

All numbers published to 95% confidence interval

Deadend Crossarms

Extra Light, Light and Standard Duty



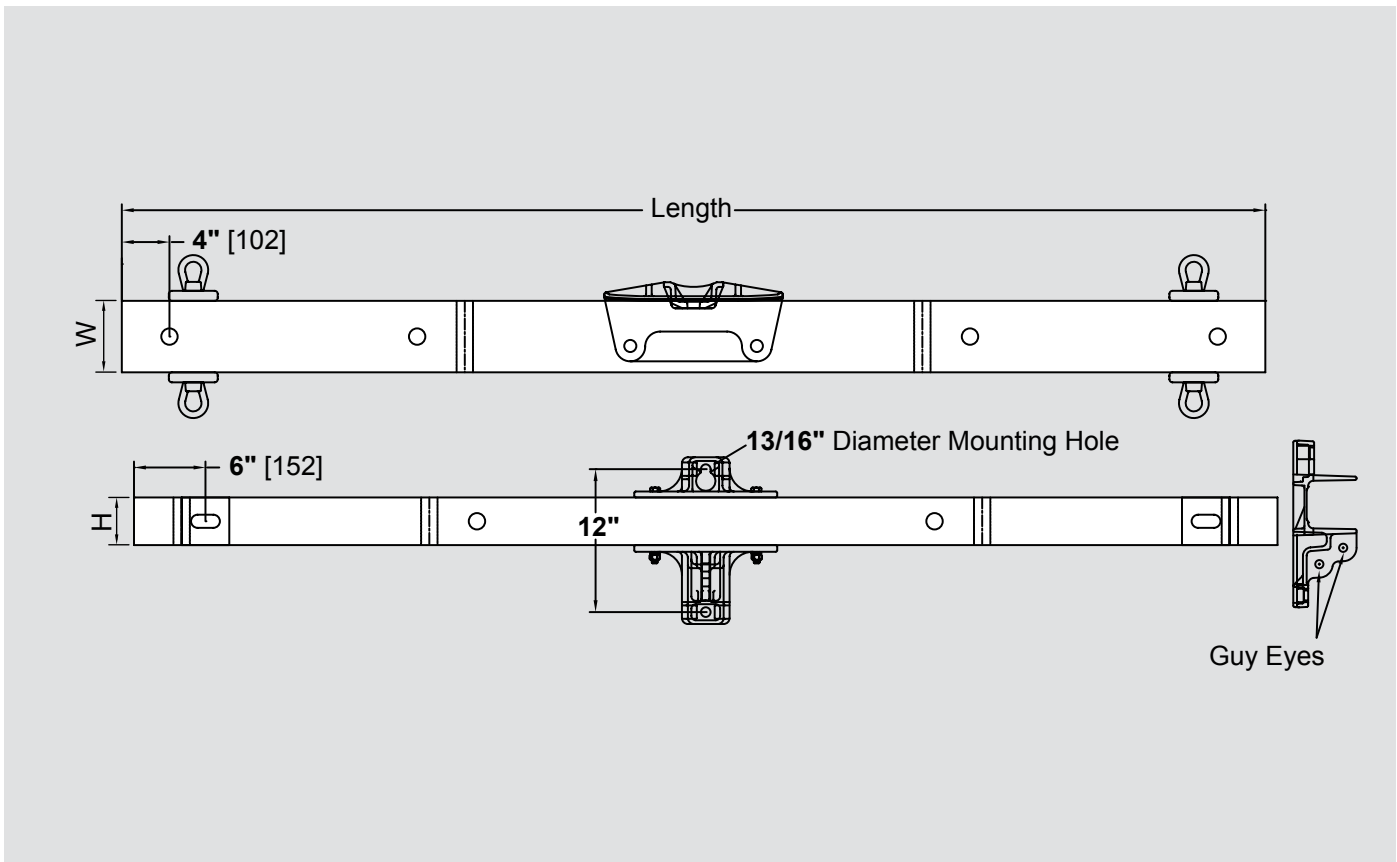
Specifications

- UV Stabilized Fiberglass Beam with UV Protective Veil
- Bandable
- Keyhole Slot
- "Double Nutting" Feature
- Available in Gray or Brown
- Centermount with Cast-in Guy Attachments
- MPS exclusive curved washers

General Specifications

Series	Mounting Spacing	Mounting Hardware Size	Beam Size (W x H)	Base Material
PX	12"	3/4"	4.625" x 3.625"	Aluminum
PW	12"	3/4"	4.625" x 3.625"	Aluminum
PZ	12"	3/4"	6" x 4"	Aluminum or Iron

Dimensions





Extra Light Duty Deadend Series PX

Beam Size = 4.625" x 3.625"

Catalog Number	Length in Feet*	Ultimate Load Per Side Pounds**	Ultimate Load Per Position	Deflection in Inches per 1000 Pounds	Guy Hole Rating*** (Dual / Single)	Guy Hole Size	Weight in Pounds
PX05LD573-2E	5'	8650	8650	<0.10	24,000 / 21,000	11/16"	42
PX08LD003-2E	8'	4950	4950	0.68	24,000 / 21,000	11/16"	54
PX08LD003-4E	8'	4950	3500	0.68	24,000 / 21,000	11/16"	65
PX10LD005-2E	10'	3850	3850	1.28	24,000 / 21,000	11/16"	62
PX10LD005-4E	10'	7300	2900	1.28	24,000 / 21,000	11/16"	73

Light Duty Deadend Series PZ

Beam Size = 6" x 4"

Catalog Number	Length in Feet*	Ultimate Load Per Side Pounds**	Ultimate Load Per Position	Deflection in Inch per 1000 Pounds	Guy Hole Rating*** (Dual / Single)	Guy Hole Size	Weight in Pounds
PZ05LD573-2E-SM	5'	9400	9400	<0.10	40,000 / 30,000	13/16"	71
PZ08LD003-2E-SM	8'	9400	9400	0.24	40,000 / 30,000	13/16"	66
PZ08LD003-4E-SM	8'	9400	6750	0.24	40,000 / 30,000	13/16"	98
PZ10LD005-2E-SM	10'	7350	7350	0.47	40,000 / 30,000	13/16"	72
PZ10LD005-4E-SM	10'	7350	5600	0.47	40,000 / 30,000	13/16"	109

Standard Duty Deadend Series PW

Beam Size = 4.625" x 3.625"

Catalog Number	Length in Feet*	Ultimate Load Per Side Pounds**	Ultimate Load Per Position	Deflection in Inch per 1000 Pounds	Guy Hole Rating*** (Dual / Single)	Guy Hole Size	Weight in Pounds
PW05LD573-2E	5'	10,200	10,200	<0.15	24,000 / 21,000	11/16"	42
PW08LD003-2E	8'	10,200	10,200	0.35	24,000 / 21,000	11/16"	54
PW08LD003-4E	08'	7300	7300	0.35	24,000 / 21,000	11/16"	65
PW10LD005-2E	10'	7950	7950	0.70	24,000 / 21,000	11/16"	55
PW10LD005-4E	10'	7900	6050	0.70	24,000 / 21,000	11/16"	73
PW12LD349-2E	12'	6500	6500	1.05	24,000 / 21,000	11/16"	70
PW12LD349-4E	12'	6500	4600	1.05	24,000 / 21,000	11/16"	81

* Standard length shown in feet. For other lengths, consult your MPS representative or customer service

** Ultimate longitudinal load per side in pounds. Crossarm with "CH" or "CA" (Center Phase) attachment used as a single-sided application are limited to an 84% ultimate load

*** Guy hole load values stated at 30 degree guy angle in pounds
All numbers published to 95% confidence interval

Heavy Duty



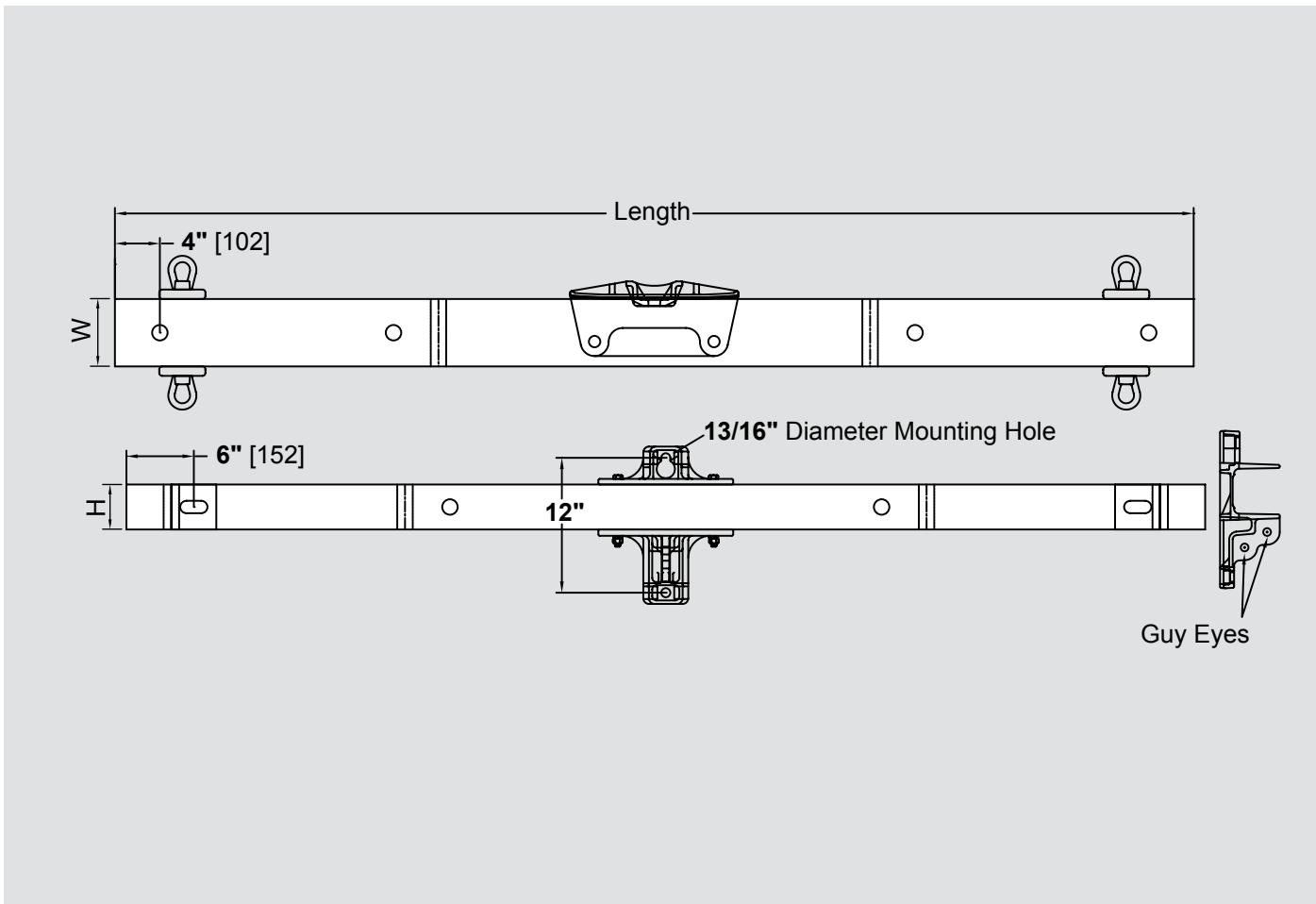
Specifications

- UV Stabilized Fiberglass Beam with UV Protective Veil
- Bandable
- Keyhole Slot
- "Double Nutting" Feature
- Available in Gray or Brown
- Centermount with Cast in Guy Attachment
- MPS exclusive curved washers

General Specifications

Series	Mounting Spacing	Mounting Hardware Size	Beam Size (W x H)	Base Material
PY	12"	3/4"	6" x 4"	Aluminum or Iron

Dimensions





Heavy Duty Deadend Series PY

Beam Size = 6" x 4"

Catalog Number	Length in Feet*	Ultimate Load Per Side Pounds**	Ultimate Load Per Position	Deflection in Inch per 1000 Pounds	Guy Hole Rating*** (Dual / Single)	Guy Hole Size	Weight in Pounds
PY05SD573-2E-SM	5'	12,500	12,500	<0.08	40,000 / 30,000	13/16"	45
PY08SD003-2E-SM	8'	12,500	12,500	0.22	40,000 / 30,000	13/16"	72
PY08SD003-4E-SM	8'	12,500	10,050	0.22	40,000 / 30,000	13/16"	109
PY10SD005-2E-SM	10'	11,000	11,000	0.42	40,000 / 30,000	13/16"	81
PY10SD005-4E-SM	10'	11,000	8350	0.42	40,000 / 30,000	13/16"	99
PY12SD349-2E-SM	12'	9000	9000	0.58	40,000 / 30,000	13/16"	90
PY12SD349-4E-SM	12'	9000	6350	0.58	40,000 / 30,000	13/16"	121

* Standard length shown in feet. For other lengths, consult your MPS representative or customer service

** Ultimate longitudinal load per side in pounds. Crossarm with "CH" or "CA" (Center Phase) attachment used as a single-sided application are limited to an 84% ultimate load

*** Guy hole load values stated at 30 degree guy angle in pounds

All numbers published to 90% confidence interval

Other Quality MacLean Products

Aluminum Mounts

Anchoring Systems

Conductor Hardware

Connectors

Cutouts

Enclosures and Pads

Fiberglass Products

Formed Wire

Grounding and Tools

Insulator Systems

Pole Line Hardware

Surge Arresters

Telecommunications Hardware

MacLean Power Systems
481 Munn Road, Suite 300
Fort Mill, SC 29715 USA
fax 803.396.8601
maclepower.com

Customer Service 1.800.MPS.SHIP
info@maclepower.com