



# Straight Line, Side Opening Deadend Clamps

## Aluminum Straight Line, Side Opening Deadend Clamps

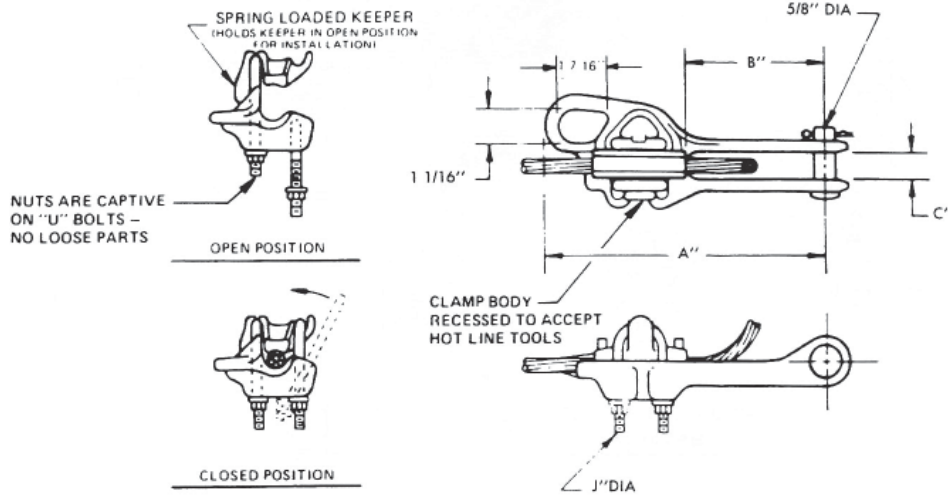
Connects primary conductor to deadend insulator, two U-bolt style

### Features

- U-Bolts are captive
- Spring loaded side opening - shipped in open position

### Material

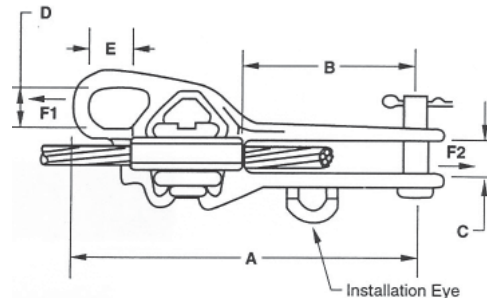
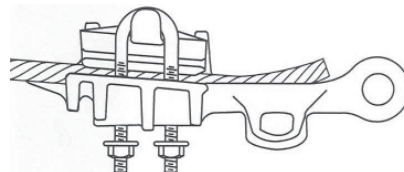
Body and Keeper: Aluminum Alloy A356-T6  
 Cotter Pin and Compression Spring: Stainless steel  
 Hardware: Steel hot dip galvanized ASTM A-153



Catalog Number	Conductor Range			U-Bolts		Dimensions			Ultimate Strength		Weight /100 (lbs)
	Inches	ACSR	Aluminum	No	Size	A	B	C	Body	Sag Eye	
HDSO-47	0.190 - 0.470	#6 - 2/0	#4 - 3/0	2	3/8	8.53	4.25	0.75	7000	4000	157
HDSO-57	0.250 - 0.570	#4 - 4/0	#2 - 4/0	2	3/8	8.88	4.06	0.75	8000	5000	178
HDSO-70	0.310 - 0.700	#2 - 336.4	#1 - 350	2	3/8	9.50	4.75	0.81	9000	6000	196
HDSO-82	0.250 - 0.820	#4 - 477	#2 - 477	2	1/2	10.13	4.88	0.88	9000	6000	308
HDSO-88	0.250 - 0.880	#4 - 556.5	#2 - 556.5	2	1/2	10.25	4.78	1.06	10000	6000	300
HDSO-88L-6	0.250 - 0.880	#4 - 556.5	#2 - 556.5	2	1/2	11.38	6.00	0.88	10000	6000	338
HDSO-88L-7	0.250 - 0.880	#4 - 556.5	#2 - 556.5	2	1/2	12.38	7.00	0.94	10000	6000	341
HDSO-116	0.680 - 1.160	336.4 - 954	397.5 - 1000	2	1/2	12.00	7.25	1.00	12000	8000	383
HDSO-116-2	0.680 - 1.160	336.4 - 954	397.5 - 1000	4	1/2	19.88	8.00	1.25	27000	16000	884
HDSO-130	0.680 - 1.300	300 - 1113	336.4 - 1272	2	1/2	14.00	8.00	1.00	15000	12000	420

### Notes:

- 1) Add suffix "-S" for socket fitting
- 2) Add suffix "-C" for clevis fitting
- 3) Add suffix "-HP" for hex clevis pin
- 4) Add suffix "-E" for lifting eye on keeper
- 5) Recommended torque on U-Bolts: 3/8" - 20-25 ft/lbs; 1/2" - 40-45 ft/lbs.



Catalog Number	Conductor Range			U-Bolts		Dimensions			Ultimate Strength		Weight /100 (lbs)
	Inches	ACSR	Aluminum	No	Size	A	B	C	Body	Sag Eye	
HCD60-SO	0.250 - 0.600	#4 - 266.8	#3 - 266.8	2	1/2	9.38	4.50	0.75	8000	6000	250
HCD80-SO	0.250 - 0.880	#4 - 556.5	#3 - 556.5	2	1/2	10.38	5.13	1.00	10000	6000	300
HCD116-SO	0.680 - 1.160	336.4 - 954	397.5 - 1000	2	1/2	12.75	6.38	1.00	12000	8000	420

### Notes:

- 1) Add suffix "-HP" for helix clevis pin
- 2) Recommended Torque on U-Bolts: 40-45 ft/lbs.



# Straight Line, Side Opening Deadend Clamps

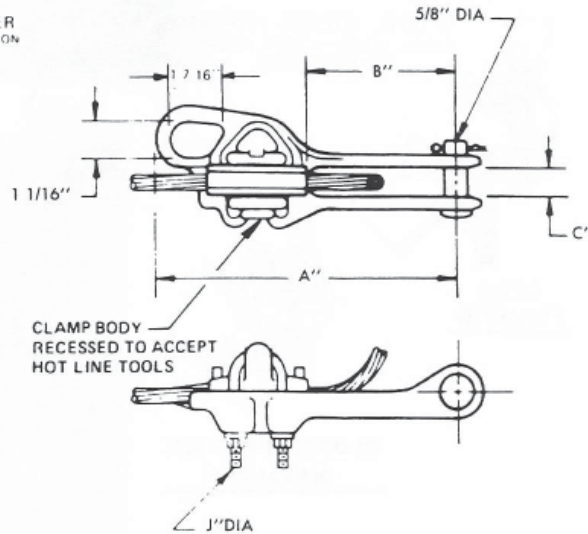
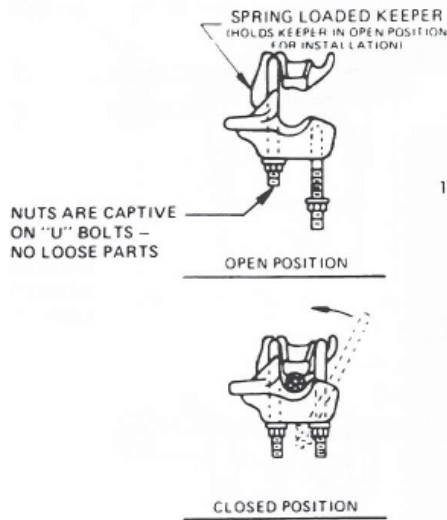
## Iron Straight Line, Side Opening Deadend Clamps

### Features

- U-Bolts are captive
- Spring loaded side opening - shipped in open position

### Material

Body and Keeper: Ductile iron hot dip galvanized  
 Cotter Pin and Compression Spring: Stainless steel  
 Hardware: Steel hot dip galvanized ASTM A-153



Catalog Number	Conductor Range			U-Bolts		Dimensions			Ultimate Strength		Weight /100 (lbs)
	Inches	ACSR	AL or Cu	No	Size	A	B	C	Body	Sag Eye	
HDSO-47-F	0.190 - 0.470	#6 - 2/0	#4 - 3/0	2	3/8	7.75	4.31	0.75	8000	5000	300
HDSO-57-F	0.250 - 0.570	#4 - 4/0	#2 - 4/0	2	3/8	8.38	4.50	0.75	9000	6000	400
HDSO-70-F	0.310 - 0.700	#2 - 336.4	#1 - 350	2	3/8	8.75	4.75	0.81	10000	7000	400

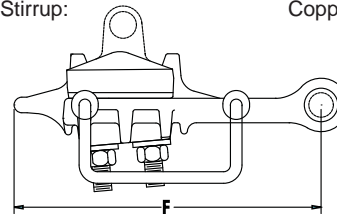
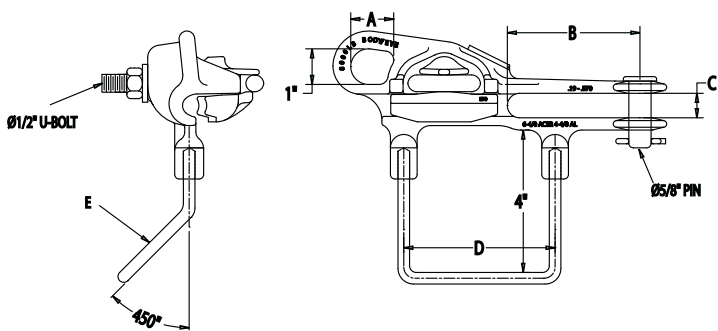
### Notes:

- 1) Add suffix "-S" for socket fitting
- 2) Add suffix "-C" for clevis fitting
- 3) Add suffix "-HP" for hex clevis pin
- 4) Recommended torque on U-Bolts: 3/8" - 20-25 ft/lbs

## Aluminum Straight Line, Side Opening Deadend Clamps with Stirrup

### Material

Body and Keeper: Aluminum Alloy  
 Cotter Pin and Compression Spring: Stainless Steel  
 Hardware: Steel hot dip galvanized  
 Stirrup: Copper



Catalog Number	AWG/MCM ACSR	AWG/MCM Aluminum	Dimensions								Ultimate Strength		Weight /100 (lbs)
			A	B	C	D	E	F	G	J	Body	Sag Eye	
ASOS-570-N	4 - 4/0	4 - 4/0	8.62	3.75	0.69	1/0 Sol. Cu	4.25	1.19	1	0.5	8000	8000	176
ASOS-858-TN	4 - 556 - 5	2 - 5565									8000	6000	250

### Notes:

- 1) Add suffix "E" if for lifting eye on keeper